

MODEL: BORDELESA TRANSPORT

BARREL 225 LITRES

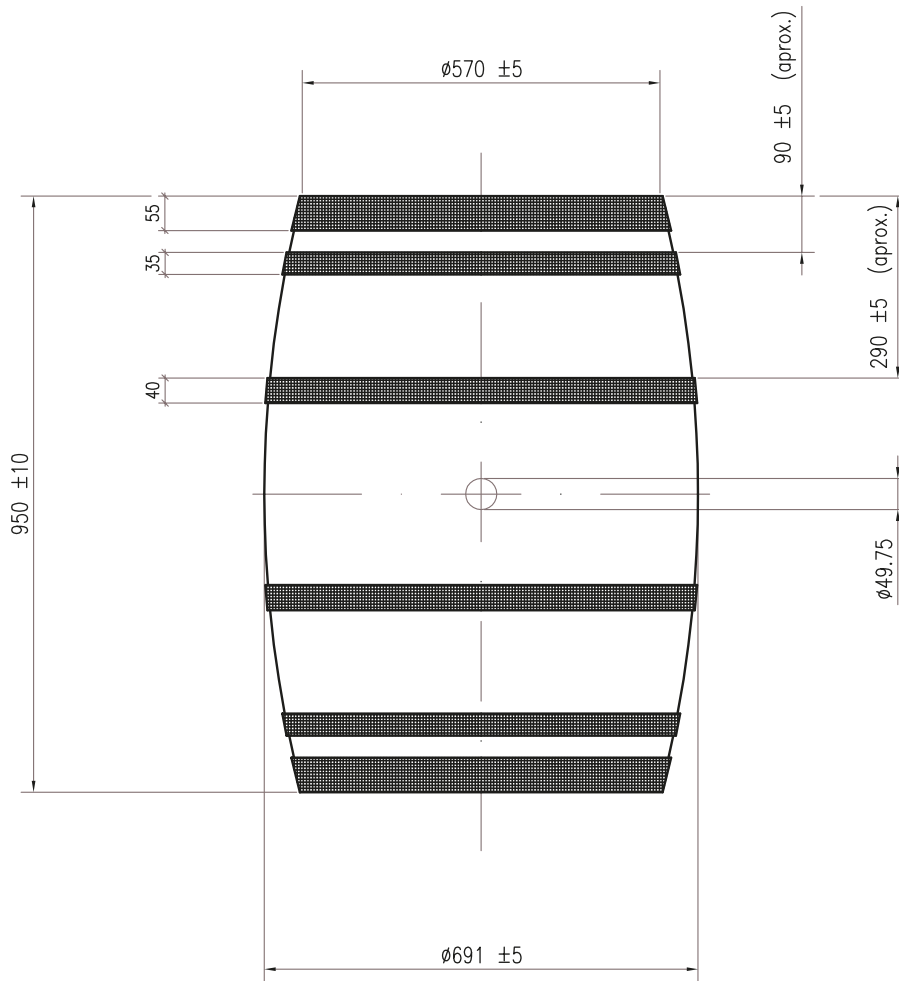
	AMERICAN BARREL	FRENCH BARREL
WOOD	American white oak (Quercus alba)	French oak (Quercus petraea)
ORIGIN	· Ozarks Forests (Missouri) · Kentucky, (Pensilvania)	· Selection of wood from central France
GRAIN	Extra-fine grain	Extra-fine grain
CUT	Sawn stave	Split stave
DRYING	Natural, open-air Tannin-Moisture Balance	Natural, open-air Tannin-Moisture Balance
CAPACITY	225 +/- 5 Litres	225 +/- 5 Litres
BENDING	"water bending" or "Traditional"	"water bending" or "Traditional"
NO. OF STAVES	(28 – 32) parts	(28 – 32) parts
LENGTH	95 +/- 1 cm	95 +/- 1 cm
THICKNESS	27 +/- 1 mm	27 +/- 1 mm
BASES	8/9 parts. Optional toasting	8/9 parts. Optional toasting
HEAD DIAMETER	57 +/- 0,5 cm	57 +/- 0,5 cm
BILGE DIAMETER	69,0 +/- 0,5 cm	69,0 +/- 0,5 cm
BUNGHOLE (silicone plug)	· Truncated cone. Burning (Optional) · Standard: 45 +/- 1 mm / Optional : 50 +/-1 mm · Cylindrical (Optional)	· Truncated cone. Burning (Optional) · Standard: 45 +/- 1 mm / Optional : 50 +/-1 mm · Cylindrical (Optional)
WEIGHT	53/54 Kg	47/48 Kg
METALWORK (hoops)	6-8 bands of special galvanised steel	6-8 bands of special galvanised steel
OPTIONAL	Bung	Bung
CONTROL	Seal check, identification of the barrel, final verification.	Seal check, identification of the barrel, final verification.
FINISH	· Fine sanding. Marking of Quercus "logo". · Type of wood and year of manufacture. · Wrapped in plastic film.	· Fine sanding. Marking of Quercus "logo". · Type of wood and year of manufacture. · Wrapped in plastic film.

TOASTED TRH Tostado Rotativo Horizontal (Horizontal Rotating Toasting)
• 50 toasting profiles
 Consult our Technical Department (+34) 945 627 363

TRADITIONAL TOASTING Braziers fed by oak chippings. Time and temperature control.
• LIGHT (T.L.), MEDIUM (T.M.), MEDIUM Plus (T.M.+), STRONG (T.F.), QUERCUS
 Consult our Technical Department (+34) 945 627 363

One-year guarantee against any leakage and/or broken staves.

La reproducción total o parcial de este documento está prohibida sin el permiso escrito de QUERCUS MANUFACTURAS S.L



QUERCUS MANUFACTURAS S.L	Nombre: BARRICA TRANSPORT BORDELESA 225m ± 5 LITROS 6 CELLOS	UNIDADES EN MILÍMETROS
		ESCALA: 1/10
		ED. 1